

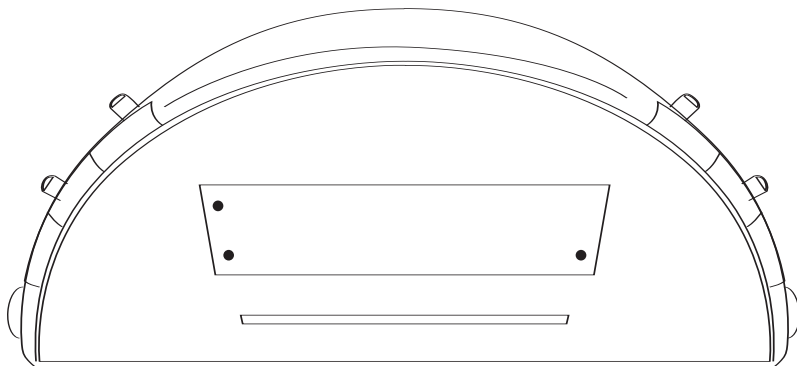


Is it live or is it Memorex?TM

MC1886

User's Guide

*AM/FM CLOCK RADIO
WITH DUAL ALARM*



**Before operating this product,
please read these instructions completely.**

SAFETY PRECAUTIONS



CAUTION

**RISK OF ELECTRIC SHOCK
DO NOT OPEN**



CAUTION: TO REDUCE THE RISK OF ELECTRIC SHOCK, DO NOT REMOVE COVER (OR BACK) OR EXPOSE TO RAIN OR MOISTURE. NO USER-SERVICEABLE PARTS INSIDE. REFER SERVICING TO QUALIFIED SERVICE PERSONNEL.



DANGEROUS VOLTAGE

Uninsulated Dangerous Voltage, that may be of sufficient magnitude to constitute a risk of electric shock to persons is present within this product's enclosure.



ATTENTION

The Owner's Manual contains important operating and maintenance instructions.

For your safety, it is necessary to refer to the manual.

- Place the unit on a stable surface.
- Avoid installing the unit in locations described below:
 - Places exposed to direct sunlight or close to heat radiating appliances such as electric heaters.
 - On top of other stereo equipment that radiates too much heat.
 - Places lacking ventilation or dusty places.
 - Places subject to constant vibration.
 - Humid or moist places.

SURGE PROTECTORS:

It is recommended to use a surge protector for AC connection. Lightning and power surges ARE NOT covered under warranty for this product.

FCC WARNING:

This equipment may generate or use radio frequency energy. Changes or modifications to this equipment may cause harmful interference unless the modifications are expressly approved in the instruction manual. The user could lose the authority to operate this equipment if an unauthorized change or modification is made.

PLEASE KEEP ALL PACKAGING MATERIAL FOR AT LEAST 90 DAYS IN CASE YOU NEED TO RETURN THIS PRODUCT TO YOUR PLACE OF PURCHASE OR MEMOREX.

INFORMATION

This equipment has been tested and found to comply with the limits for a Class B digital device, pursuant to Part 15 of the FCC Rules. These limits are designed to provide reasonable protection against harmful interference in a residential installation. This equipment generates, uses and can radiate radio frequency energy and, if not installed and used in accordance with instructions, may cause harmful interference to radio communications. However, there is no guarantee that interference will not occur in a particular installation. If this equipment does cause harmful interference to radio or television reception, which can be determined by turning the equipment off and on, the user is encouraged to try to correct the interference by one or more of the following measures:

- Reorient or relocate the receiving antenna.
- Increase the separation between the equipment and receiver.
- Connect the equipment into an outlet on a circuit different from that to which the receiver is connected.
- Consult the dealer or an experienced radio/TV technician for help.

IMPORTANT SAFETY INSTRUCTIONS

Before using the unit, be sure to read all operating instructions carefully. Please note that these are general precautions and may not pertain to your unit. For example, this unit may not have the capability to be connected to an outdoor antenna.

1. READ INSTRUCTIONS

All the safety and operating instructions should be read before the product is operated.

2. RETAIN INSTRUCTIONS

The safety and operating instructions should be retained for future reference.

3. HEED WARNINGS

All warnings on the product and in the operating instructions should be adhered to.

4. FOLLOW INSTRUCTIONS

All operating and use instructions should be followed.

5. CLEANING

Unplug this product from the wall outlet before cleaning. Do not use liquid cleaners or aerosol cleaners. Use a dry cloth for cleaning.

6. ATTACHMENTS

Do not use attachments not recommended by the product's manufacturer as they may cause hazards.

7. WATER AND MOISTURE

Do not use this product near water—for example: near a bathtub, washbowl, kitchen sink or laundry tub; in a wet basement; or near a swimming pool.

8. ACCESSORIES

Do not place this product on an unstable cart, stand, tripod, bracket or table. The product may fall, causing serious injury and serious damage to the product. Use only with a cart, stand, tripod, bracket or table recommended by the manufacturer or sold with the product. Any mounting of the product should follow the manufacturer's instructions, and should use a

mounting accessory recommended by the manufacturer.

- 8A. An appliance and cart combination should be moved with care. Quick stops, excessive force and uneven surfaces may cause the appliance and cart combination to overturn.

9. VENTILATION

Slots and openings in the cabinet and in the back or bottom are provided for ventilation, to ensure reliable operation of the product and to protect it from overheating. These openings must not be blocked or covered. The openings should never be blocked by placing the product on a bed, sofa, rug or other similar surface. This product should never be placed near or over a radiator or heat source. This product should not be placed in a built-in installation such as a bookcase or rack unless proper ventilation is provided or the manufacturer's instructions have been adhered to.

10. POWER SOURCES

This product should be operated only from the type of power source indicated on the marking label. If you are not sure of the type of power supply to your home, consult your appliance dealer or local power company. For products intended to operate from battery power, or other sources, refer to the operating instructions.

11. GROUNDING OR POLARIZATION

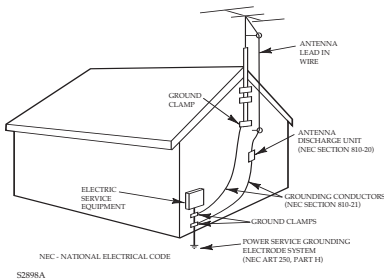
This product is equipped with a polarized alternating-current line plug (a plug having one blade wider than the other). This plug will fit into the power outlet only one way. This is a safety feature. If you are unable to insert the plug fully into the outlet, try reversing the plug. If the plug should still fail to fit, contact your electrician to replace your obsolete outlet. Do not

PORTABLE CART WARNING
(symbol provided by RETAC)



IMPORTANT SAFETY INSTRUCTIONS

- defeat the safety purpose of the polarized plug.
- POWER-CORD PROTECTION**
Power-supply cords should be routed so that they are not likely to be walked on or pinched by items placed upon or against them, paying particular attention to cords at plugs, convenience receptacles, and the point where they exit from the appliance.
 - LIGHTNING**
To protect your product from a lightning storm, or when it is left unattended and unused for long periods of time, unplug it from the wall outlet and disconnect the antenna or cable system. This will prevent damage to the product due to lightning and power-line surges.
 - POWER LINES**
An outside antenna system should not be located in the vicinity of overhead power lines or other electric light or power circuits, or where it can fall into such power lines or circuits. When installing an outside antenna system, extreme care should be taken to keep from touching such power lines or circuits as contact with them might be fatal.
 - OVERLOADING**
Do not overload wall outlets and extension cords as this can result in a risk of fire or electric shock.
 - OBJECT AND LIQUID ENTRY**
Never push objects of any kind into this product through openings as they may touch dangerous voltage points or short out parts that could result in fire or electric shock. Never spill or spray any type of liquid on the product.
 - OUTDOOR ANTENNA GROUNDING**

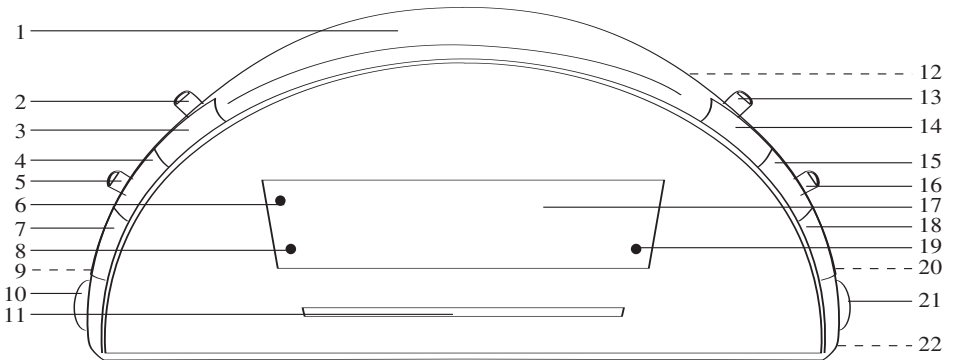


EXAMPLE OF ANTENNA GROUNDING AS PER NATIONAL ELECTRICAL CODE

If an outside antenna is connected to the product, be sure the antenna system is grounded so as to provide some protection against voltage surges and built-up static charges. Section 810 of the National Electric Code, ANSI/NFPA 70, provides information with respect to proper grounding of the mast and supporting structure, grounding of the lead-in wire to an antenna discharge product, size of grounding conductors, location of antenna discharge product, connection to grounding electrodes and requirements for grounding electrodes.

- SERVICING**
Do not attempt to service this product yourself as opening or removing covers may expose you to dangerous voltage or other hazards. Refer all servicing to qualified service personnel.
- REPLACEMENT PARTS**
When replacement parts are required, be sure the service technician uses replacement parts specified by the manufacturer or those that have the same characteristics as the original part. Unauthorized substitutions may result in fire, electric shock or other hazards.
- SAFETY CHECK**
Upon completion of any service or repairs to this product, ask the service technician to perform safety checks to determine that the product is in proper operating condition.
- WALL OR CEILING MOUNTING**
The product should be mounted to a wall or ceiling only as recommended by the manufacturer.
- DAMAGE REQUIRING SERVICE**
Unplug the product from the wall outlet and refer servicing to qualified service personnel under the following conditions:
 - When the power-supply cord or plug is damaged.
 - If liquid has been spilled or objects have fallen into the product.
 - If the product has been exposed to rain or water.
 - If the product does not operate normally by following the operating instructions. Adjust only those controls that are covered by the operating instructions, as an adjustment of other controls may result in damage and will often require extensive work by a qualified technician to restore the product to its normal operation.
 - If the product has been dropped or the cabinet has been damaged.
 - When the product exhibits a distinct change in performance—this indicates a need for service.
- HEAT**
The product should be situated away from heat sources such as radiators, heat registers, stoves or other products (including amplifiers) that produce heat.
- NOTE TO CATV SYSTEM INSTALLER**
This reminder is provided to call the CATV system installer's attention to Article 820-40 of the NEC that provides guidelines for proper grounding and, in particular, specifies that the cable ground shall be connected to the grounding system of the building, as close to the point of cable entry as practical.

LOCATION OF CONTROLS

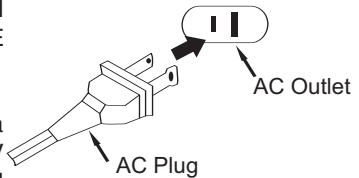


- | | |
|--|--|
| 1. SNOOZE Button | 12. Speaker (Rear of Unit) |
| 2. Alarm (1/1+2/2) Switch | 13. DIMMER (HI/LOW) Switch |
| 3. SLEEP Button | 14. FAST Button (For adjusting the Clock/Alarm Time) |
| 4. ALARM Button | 15. SLOW Button (For adjusting the Clock/Alarm Time) |
| 5. FUNCTION (ON/OFF/RADIO/BUZZ) Switch | 16. Band (AM/FM) Switch |
| 6. PM Indicator | 17. Time Display |
| 7. TIME Button | 18. ALARM OFF Button |
| 8. Alarm 1 Indicator | 19. Alarm 2 Indicator |
| 9. FM Antenna Wire (Rear of Unit) | 20. AC Cord (Rear of Unit) |
| 10. VOLUME Control | 21. TUNING Control |
| 11. AM/FM Dial Scale and Pointer | 22. Battery Compartment (Bottom of Unit) |

INSTALLATION

CAUTION:

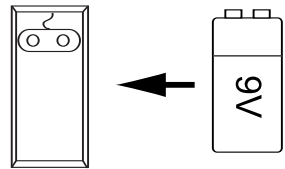
TO PREVENT ELECTRIC SHOCK, MATCH THE WIDE BLADE OF THE PLUG TO THE WIDE SLOT, FULLY INSERT.



Unravel the AC cord and connect it to a conveniently located AC outlet having 120V and 60Hz only. The Clock Display will illuminate and “12:00” will blink in the window.

NOTE: If the AC plug does not fit into a nonpolarized outlet, do not file or cut the wide blade.

If the AC cord is disconnected or if there is a power failure, this electronic clock is designed to continue operating internally (without showing the time on the Clock Display) with a 9 volt battery (not included). To install the battery, remove the battery compartment cover by pressing in on the tab, then connect the battery to the terminals of the battery snap inside the compartment (use of an alkaline battery is recommended). Replace the battery compartment cover.



Be sure to check the condition of the battery periodically by disconnecting the AC cord and connecting it again 2 or 3 minutes later. The preset times should continue operating. If the preset time does not appear, it indicates the battery is dead or not connected properly.

BATTERY PRECAUTIONS

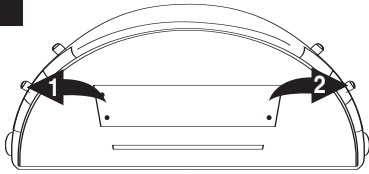
Follow these precautions when using a battery in this device:

1. Use only the size and type of battery specified.
2. Be sure to follow the correct polarity when installing the battery as indicated in the battery compartment. Reversed batteries may cause damage to the device.
3. If the device is not to be used for a long period of time, remove the battery to prevent damage or injury from possible battery leakage.
4. Do not try to recharge batteries not intended to be recharged; they can overheat and rupture. (Follow battery manufacturer's directions.)

OPERATION

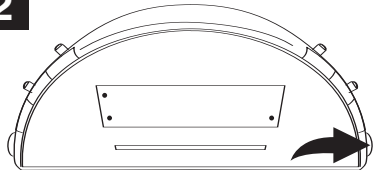
TO LISTEN TO THE RADIO

1



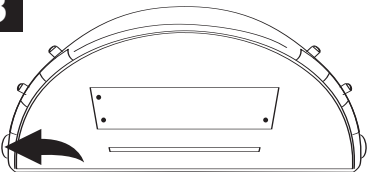
Slide the **FUNCTION** switch ❶ to the **ON** position. Slide the **Band** switch ❷ to the **AM** or **FM** position as desired.

2



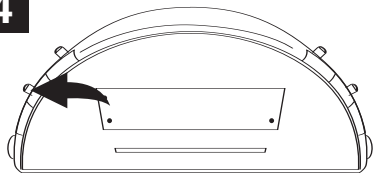
Tune a station by turning the **TUNING** control.

3



Adjust the **VOLUME** control as desired.

4



To turn the radio off, slide the **FUNCTION** switch to the **OFF** position.

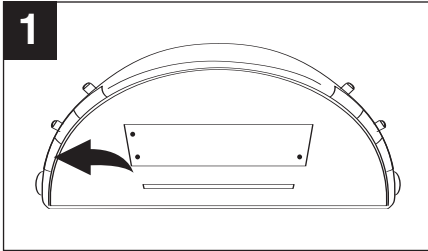
Antennas

FM: Extend the FM Antenna Wire for best reception.

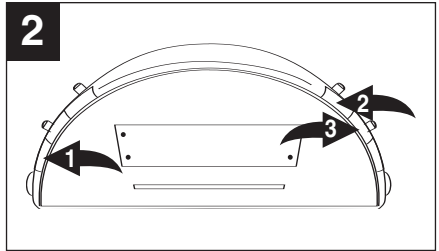
AM: Turn the unit for better AM reception.

OPERATION (CONTINUED)

TO SET OR RESET THE ACTUAL TIME

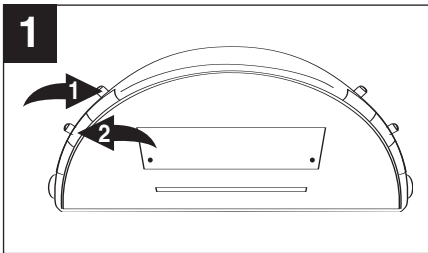


Press and hold the TIME button.

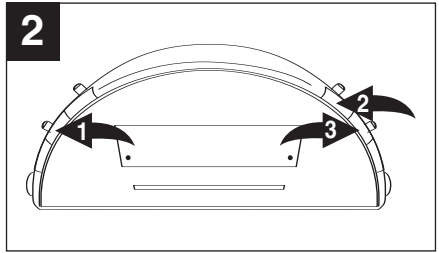


While holding the TIME button ❶, press the FAST button ❷ (for rapid search) and/or SLOW button ❸ (for slow search) to set the present time.

TO SET OR RESET THE ALARM TIME



Slide the ALARM switch ❶ to the 1 position to set alarm 1 or the 2 position to set alarm 2.
Press and hold the ALARM button ❷.

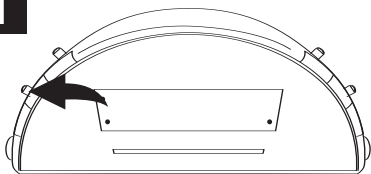


While holding the ALARM button ❶, press the FAST button ❷ and/or SLOW button ❸ to set the desired alarm time.

OPERATION (CONTINUED)

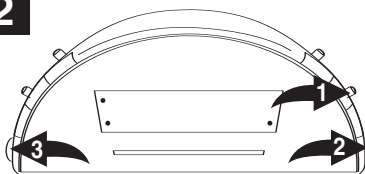
TO SET THE ALARM TO WAKE TO RADIO

1



Set the alarm time as previously instructed. Slide the FUNCTION switch to the ON position.

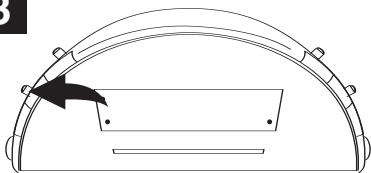
2



Slide the Band switch ① to the AM or FM position, then tune a station using the TUNING control ②. Make sure the VOLUME control ③ is set as desired.

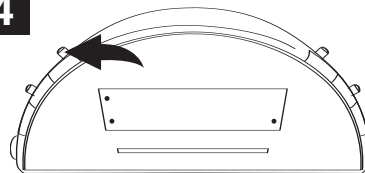
NOTE: Please make sure the volume is not set to the minimum, otherwise, when it reaches the alarm time, you will not hear the radio sound.

3



Slide the FUNCTION Switch to the RADIO position.

4

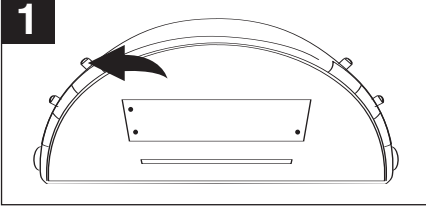


Slide the Alarm switch to the 1, 2 or 1+2 position. Select 1+2 to activate both alarms. When the actual time matches the selected preset alarm time(s), the unit automatically turns on.

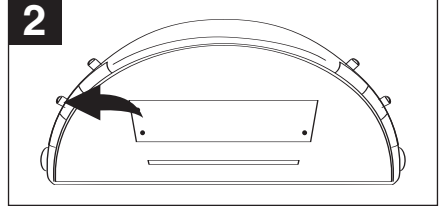
To shut off the alarm, see TO SHUT THE ALARM OFF section on the next page.

OPERATION (CONTINUED)

TO SET THE ALARM TO WAKE TO BUZZER

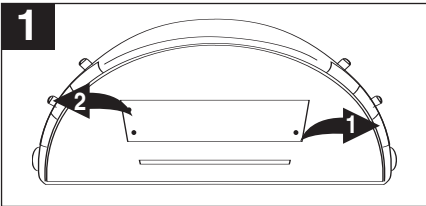


Set the alarm time as previously instructed. Slide the Alarm switch to the 1, 2 or 1+2 position. Select 1+2 to activate both alarms.



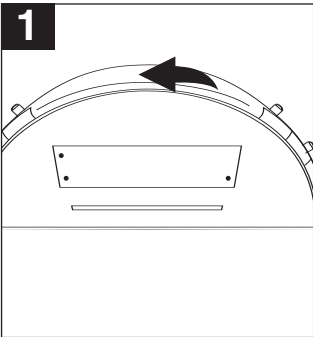
Slide the FUNCTION switch to the BUZZ position. When the actual time matches the selected preset alarm time(s), the unit automatically turns on. To shut off the alarm, see TO SHUT THE ALARM OFF section below.

TO SHUT THE ALARM OFF



To shut the alarm off, press the ALARM OFF button ❶ once and the alarm time will be reset for the next day. Slide the FUNCTION switch ❷ to the OFF position to turn off the alarm and not set it for the next day.

SNOOZE

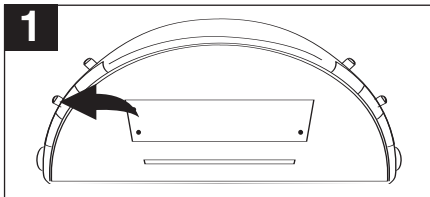


The alarm can be temporarily turned off manually by pressing the SNOOZE button; the alarm will turn back on automatically 7 minutes later. It can be repeated endlessly. With the actual time showing in the display, press and hold the SNOOZE button, the display will change to show the last digit of the minute (at the left digit) of the actual time and the seconds (at the right two digits). (i.e. If the actual time is "12:28" when you press and hold the SNOOZE button, then the left digit will show "8" and the right two digits will count up for the seconds of the actual time.)

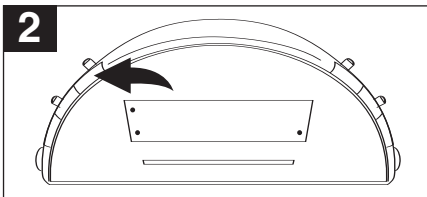
NOTE: In Dual Alarm mode, if both alarms are set, the Snooze feature will only operate up to the next alarm. If the next alarm time is reached, the unit automatically turns on for 59 minutes and then shuts off.

OPERATION (CONTINUED)

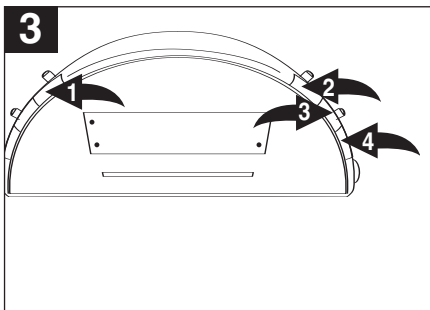
TO ACTIVATE THE SLEEP FUNCTION



1
Tune a desired radio station as previously instructed and slide the FUNCTION switch to the OFF position.

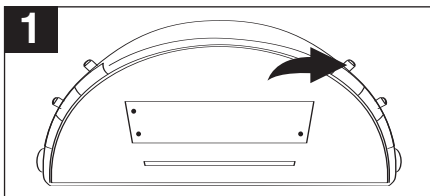


2
Press the SLEEP button and 0:59 will appear on the clock display, then release the button; the radio will turn on.



3
To adjust the sleep time, press and hold the SLEEP button ❶, then press the FAST ❷ and/or SLOW ❸ button to select for the Sleep Time, i.e. "0:01" to turning on the radio for one minute, "0:59" to turn on the radio for 59 minutes. Press the ALARM OFF button ❹ to turn off the radio and cancel the sleep function.

DIMMER SWITCH



1
Slide to the HI position for a brighter display. Slide to the LOW position for a less bright display.

TROUBLESHOOTING GUIDE

If you experience a problem with this unit, check the chart below before calling for service.

SYMPTOM	POSSIBLE CAUSE	POSSIBLE SOLUTION
GENERAL		
Power does not come on.	AC line cord not plugged in.	Insert plug firmly into AC outlet.
RADIO		
No sound.	FUNCTION switch not set to ON position.	Set FUNCTION switch to ON position.
	VOLUME control at minimum position.	Turn the VOLUME control up.
Noise or sound distorted on AM or FM.	AM—Interference from traffic.	Turn the radio for better AM reception.
	FM—Antenna Wire not extended.	Extend Antenna Wire.
Radio does not turn off with SLEEP feature.	FUNCTION switch not in OFF position.	Set FUNCTION switch to the OFF position.
CLOCK		
Flashing time.	Battery connected improperly, not connected or dead.	Check the battery.
	Clock not set.	Set the clock.
Alarm does not turn on.	FUNCTION switch not in RADIO or BUZZ position.	Set FUNCTION switch to the RADIO or BUZZ position.
	Clock is not set.	Set the clock.
	Alarm time not set.	Set alarm time.

Cleaning the Unit

- To prevent fire or shock hazard, disconnect your unit from the AC power source when cleaning.
- The finish on your unit may be cleaned with a dust cloth and cared for as other furniture. Use caution when cleaning and wiping the plastic parts.
- Mild soap and a damp cloth may be used on the front panel.

**FOR ADDITIONAL SET-UP OR OPERATING ASSISTANCE,
PLEASE VISIT OUR WEBSITE AT**

WWW.MEMOREXELECTRONICS.COM

OR CONTACT CUSTOMER SERVICE AT (954) 660-7100.

**PLEASE KEEP ALL PACKAGING MATERIAL FOR AT LEAST 90
DAYS IN CASE YOU NEED TO RETURN THIS PRODUCT TO YOUR
PLACE OF PURCHASE OR MEMOREX.**

**FOR PARTS AND ACCESSORIES, CONTACT FOX INTERNATIONAL
AT 1-800-321-6993.**

Memcorp, Inc.
Weston, FL
Printed in Hong Kong

Visit our website at www.memorexelectronics.com